

# VITUS 18WKQA

## Features

- ▶ Industrial fanless Panel PC "All-in-one"
- ▶ Stainless steel 316L cased
- ▶ Display LCD TFT 18.5" Wide LED
- ▶ Resolution Full HD 1920 x 1080
- ▶ IP69K six sides High pressure resistant (80bars)
- ▶ CPU Intel® Atom™ Core Quad E3845
- ▶ Up to 7 I/O cables possible
- ▶ IP69K cable gland on the back
- ▶ Multitouch PCAP touch screen
- ▶ Internal industrial power supply
- ▶ VESA 100 compatible



- intel ATOM
- Windows
- IP69K
- Fanless
- Résistant
- Inox Chassis
- Touch Screen
- Bluetooth
- Wifi
- CE

## I/O ports

### Up to 7 cables possible:

- 1 x for the power cord
- 2 x USB max
- 2 x RS-232 max
- 2 x GigaEthernet max

**IP69K smooth cable gland**  
**Reinforcement sheath at the base of the cable**



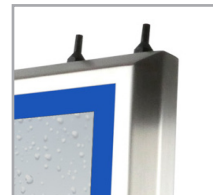
Low footprint integrated power supply



Button and plugs without roughness (GMP)



316L stainless steel IP66 six sides

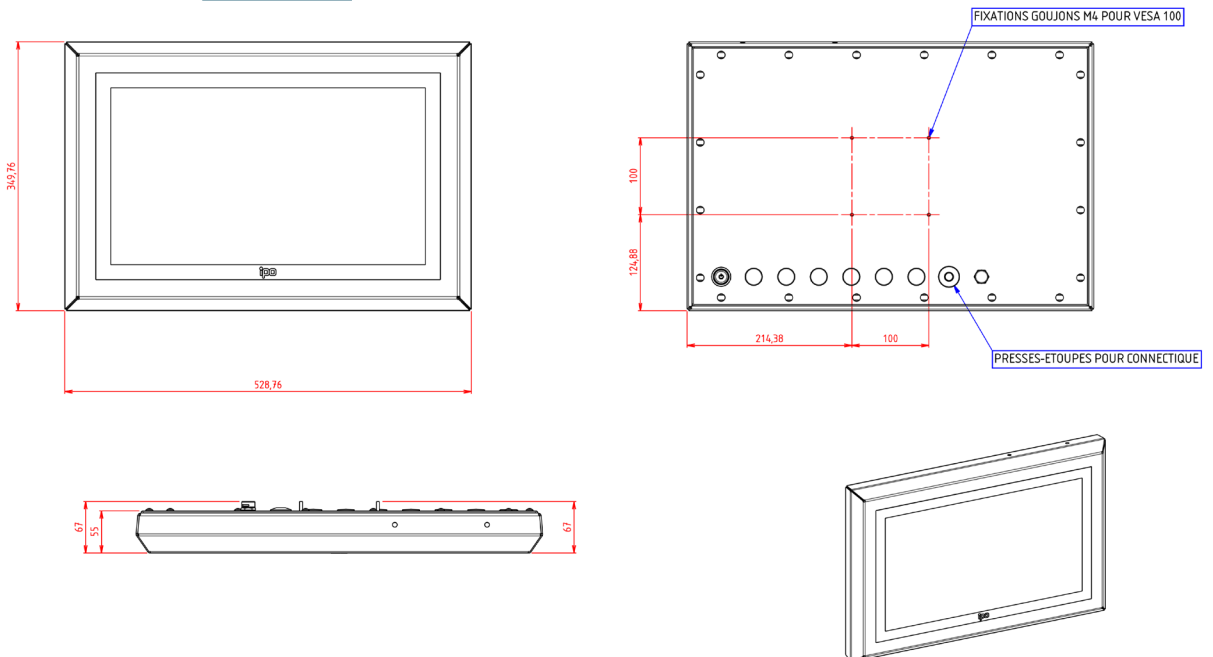


Wifi & Bluetooth with IP69K antenna



IP69K cable glands

## Mechanical Drawing



## Specifications

<b>Chassis</b>	Construction	316L stainless steel with treatment S4
	Front face	PMMA 4mm anti-scratch treatment (6H) - Blue frame RAL5010
	Mounting	VESA 100 compatible Stainless steel mounting solution: Floor stand - wallmount - ...
<b>Protection</b>		IP69K six sides - High pressure cleaning (8K/1K kPa) - Temperature: 80°C
<b>Display</b>	LCD Size	18.5" Wide - LED Backlight
	Active area	408.96 x 230.04 mm
	Resolution	1920 x 1080 Full HD
	LCD Color	16.7 millions
	Pixel Pitch	0.213 mm
	Brightness	400 cd/m2
	Contrast Ratio	1500 : 1
<b>Touch Screen</b>	Viewing Angle	Horizontal : 160° - Vertical : 160°
	Technology	Multitouch projective capacitive - PCAP - (10-touch) - Using with gloves
<b>CPU</b>	Processor	Intel® Atom™ Quad Core E3845 1.91 GHz
	Chipset	Intel® Atom™ SoC
	RAM	2x DDR3L SO-DIMM (max. 8.0 Go)
<b>Operating System</b>		Windows 7 / 8.1 / 10 - Linux on specification
<b>Drive bay</b>	HDD / SSD	1x 2"1/2 SATA
<b>IP69K I/O</b> To choose according your needs	Power cord CE22 (AC~)	Necessary (x 1) - Length of cable: 3, 4.5 or 9.5 m
	Option USB 2.0 cable	2 maximum - Length of cable: 3 or 4.5 m
	Option RS-232 cable	2 maximum - Length of cable: 3, 4.5 or 9.5 m
	Option GigaEthernet cable	2 maximum (RJ45) - Length of cable: 3, 4.5 or 9.5 m
<b>Button &amp; Control</b>	On back	Push-button power button with led indicator Brightness adjustment by software application (Windows only)
	<b>System Cooling</b>	Fanless
<b>Dimensions</b>	Dimension WxHxD (mm)	525.8 x 346.8 x 67
	Weight (kg)	11.5
<b>Industrial Power Supply</b>	Version AC~	Input : 90/264VAC - Frequency: 47/63.Hz - Power consumption: 50 W max.
	Version VDC	12 & 24 VDC - Power consumption: 50 W max.
<b>Safety &amp; EMC</b>	Security	EN60950-1
	EMC	EN55022, EN61000-3-2, EN61000-3-3, EN55024, EN-61000-4-2, EN-61000-4-3, EN-61000-4-4, EN-61000-4-5, EN-61000-4-6, EN-61000-4-8, EN-61000-4-11
	Protection certified	DIN-400-50 IP-69K
<b>Environment</b>	Operating Temperature	0° ~ + 35°C
	Storage Temperature	- 20 .... + 60°C
	Relative Humidity	5 ..... 95 %
<b>Warranty</b>		2 years Parts & Labour return to base as standard
<b>Options &amp; Accessories</b>	OPT/RS232/MPCIE/2	Option MPCie port COM x 2 in more
	OPT/WIFI+BTH/K	Wifi mPCIE wifi A/B/G/N + Bluetooth - Rugged antenna
	X/SUPPORTMUR/VIK	Wallmount support in 316L stainless steel
	OPT/PIEDTABLE/INOX	VESA 75/100 stand table support in 316L stainless steel
	BOIT/ET	316L Stainless steel Plug box - IP65 - Up to 5 I/O cable



Stand mount support in 316L stainless steel



Wallmount support in 316L stainless steel



Head tube support in 316L stainless steel



Plug box IP66 in 316L stainless steel

## Ordering Information

### VITUS18WKQA/AC

Industrial fanless P69K Panel PC in stainless steel 316L chassis - Wide Full HD 18.5" - Atom™ QC E3845 - Multitouch PCAP touch screen - 230VAC

**Do not forget to make your choice of cable**

CA/VIWKCORDSEC3-4.5-9.5	Power Cable - Length: 3, 4.5, 9.5 m
CA/VIWK/USB3F-4.5F	Female USB cable - Length: 3, 4.5 m
CA/VIWK/SUBD9/3-4.5-9.5M	Male RS232 Cable - Length: 3, 4.5, 9.5 m
CA/VIWK/RJ45/3-4.5-9.5	Lan cable (RJ45) - Length: 3, 4.5, 9.5 m

Please ask for additional information about : [Options & Accessories](#).

## Packing list

- 1 Utility CD includes: User's manual
- 1 Utility CD includes: Drivers
- 1 Software Licence (label format)
- 1 Production & Traceability datasheet